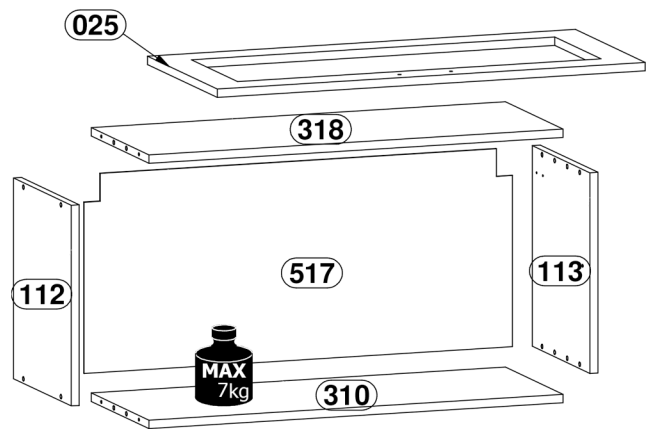
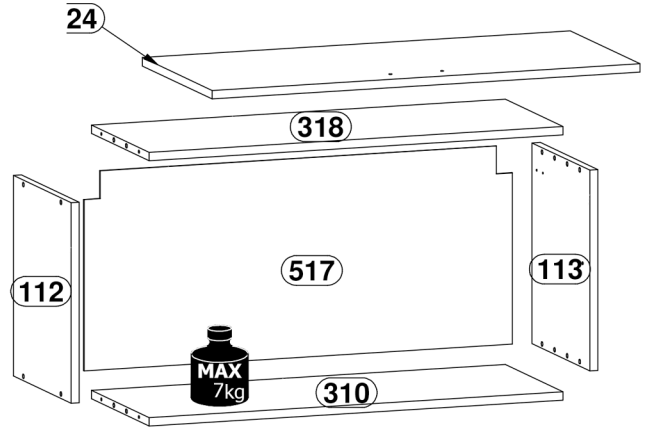
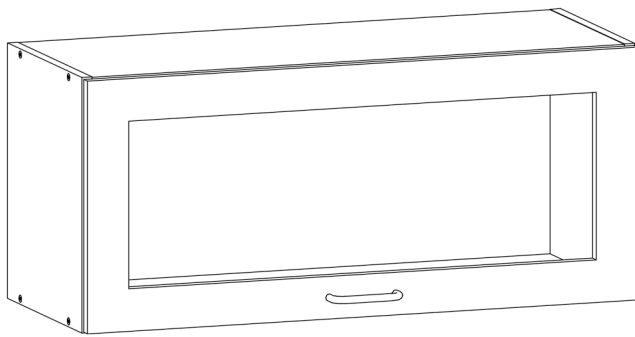
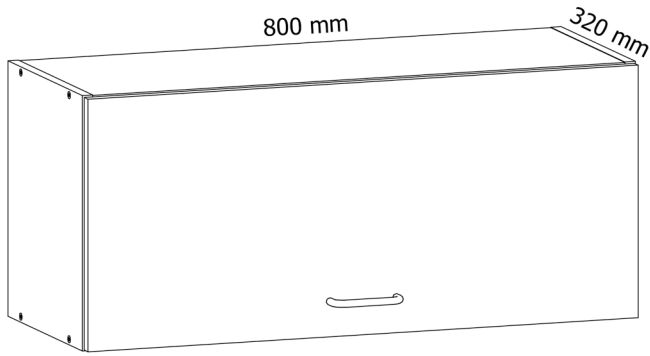
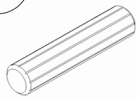
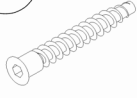
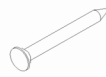


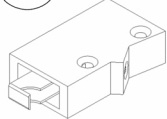
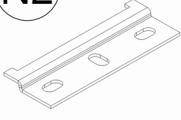
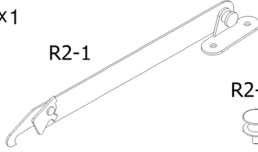




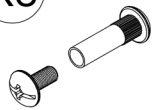


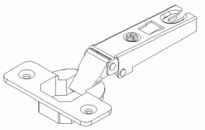


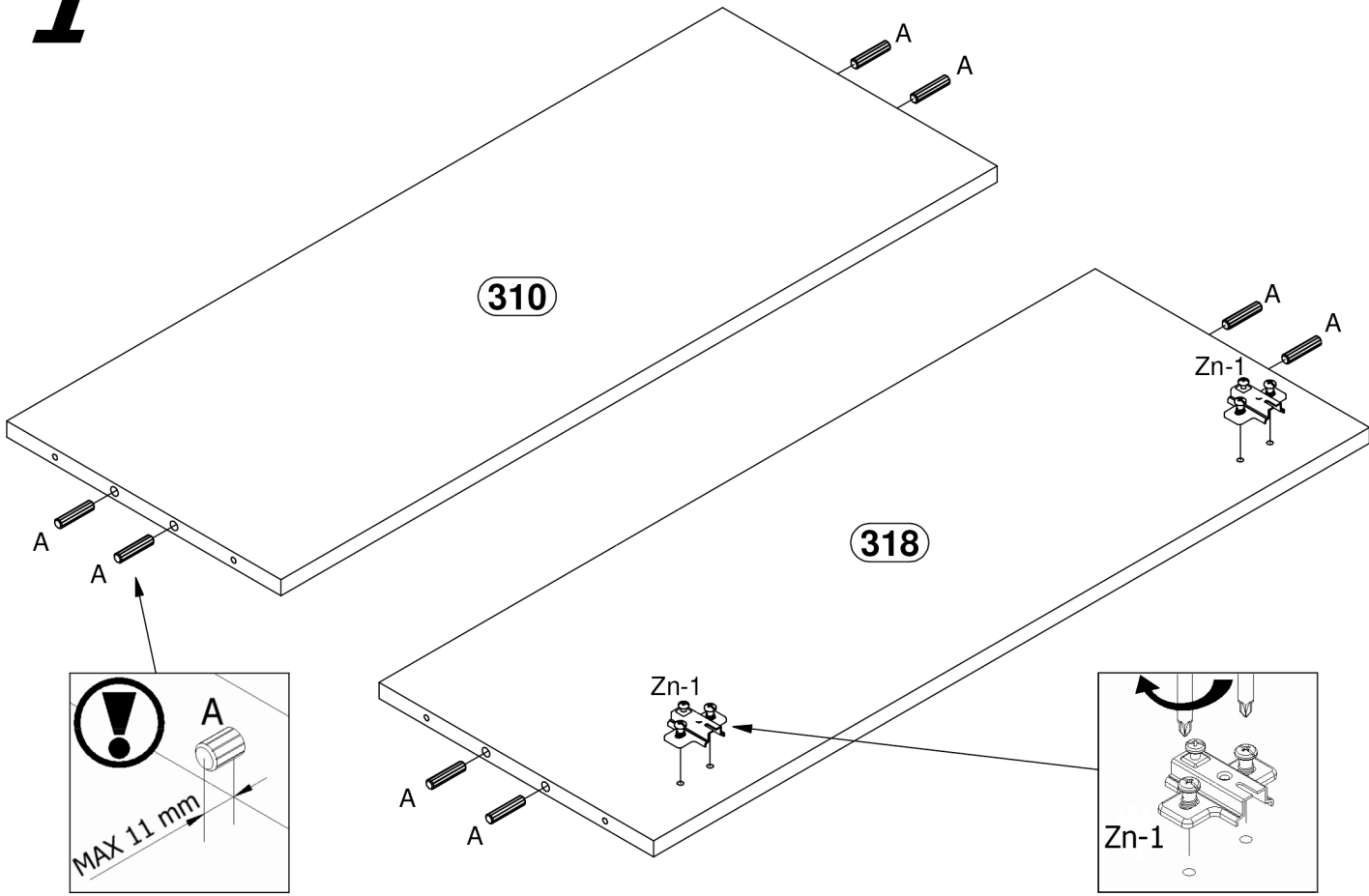
K02-G80K/G80KS

360mm

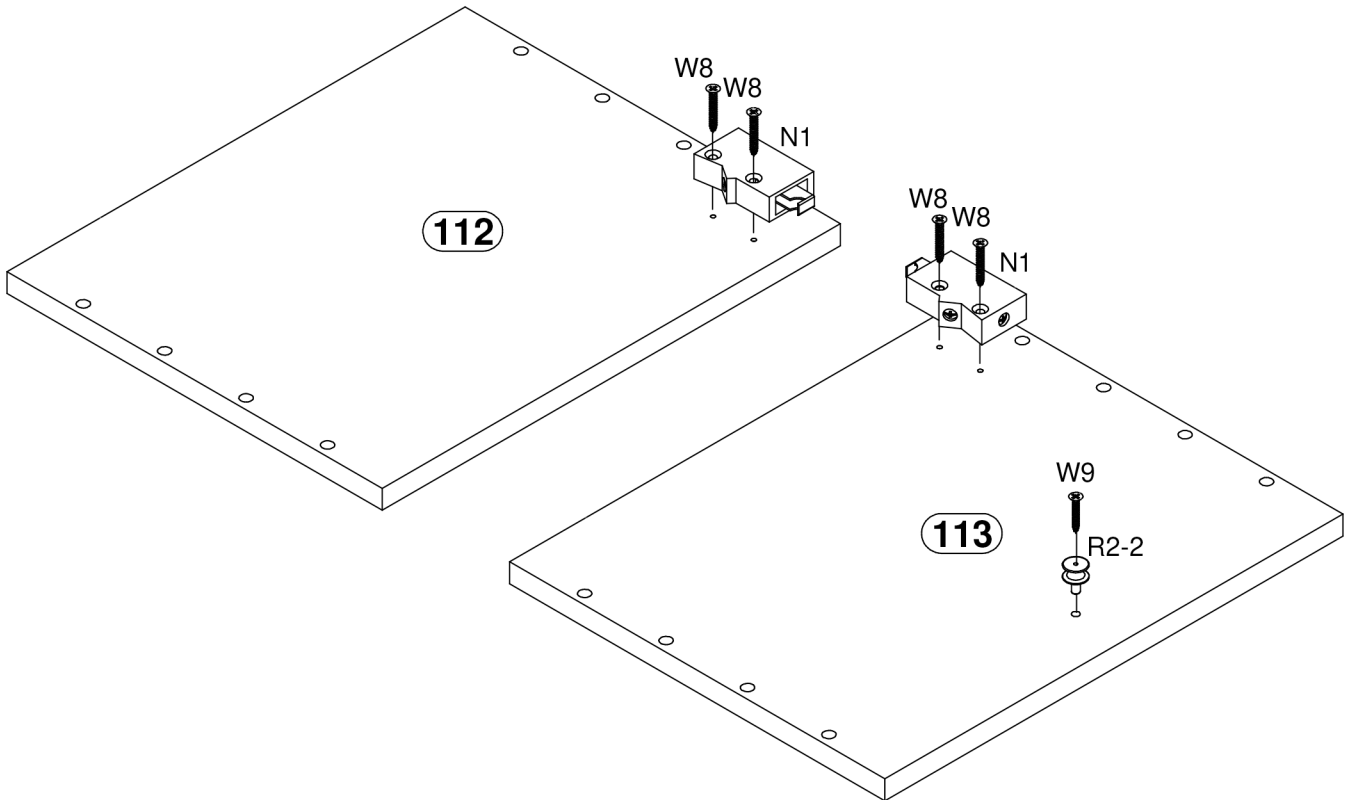


<p>A x8</p>  <p>Ø8x35mm</p>	<p>D x8</p>  <p>Ø6,4x50 mm</p>	<p>G x23</p> 	<p>KL x1</p> 
<p>M x1</p> 	<p>N1 x2</p> 	<p>N2 x2</p> 	
<p>R2 x1</p> <p>R2-1</p>  <p>R2-2</p> 	<p>W2 x6</p>  <p>Ø3,5x16mm</p>	<p>W8 x4</p>  <p>Ø4x30mm</p>	
<p>W9 x1</p>  <p>Ø3x25mm</p>	<p>X8 x2</p> 	<p>Y2 x8</p> 	
<p>Zn x2</p> <p>Zn-1</p>  <p>Zn-2</p> 			

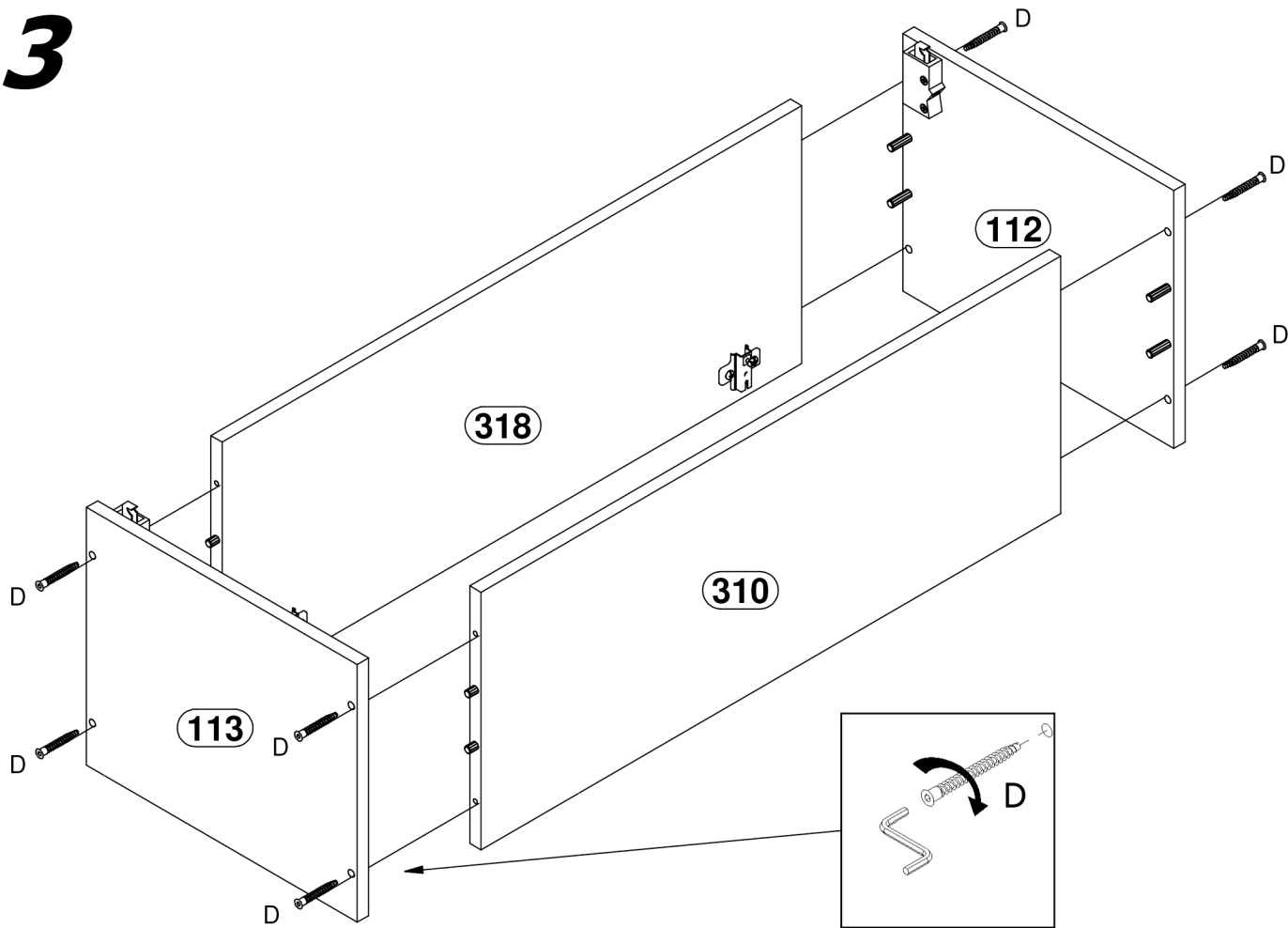
1



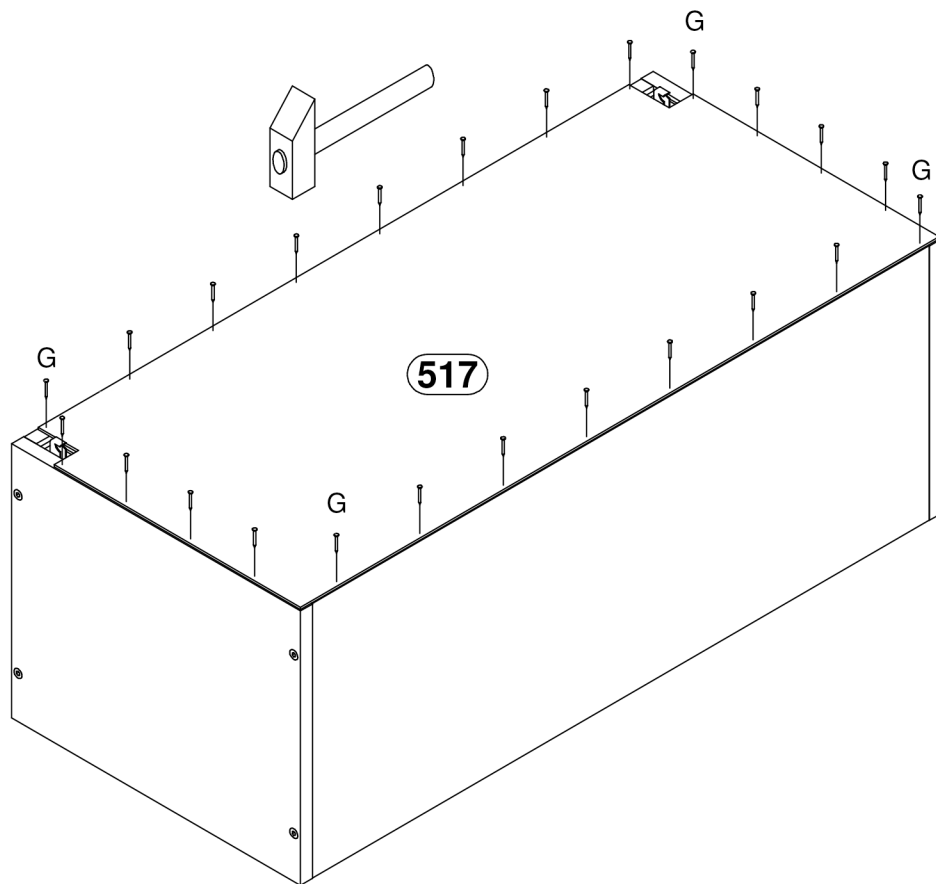
2



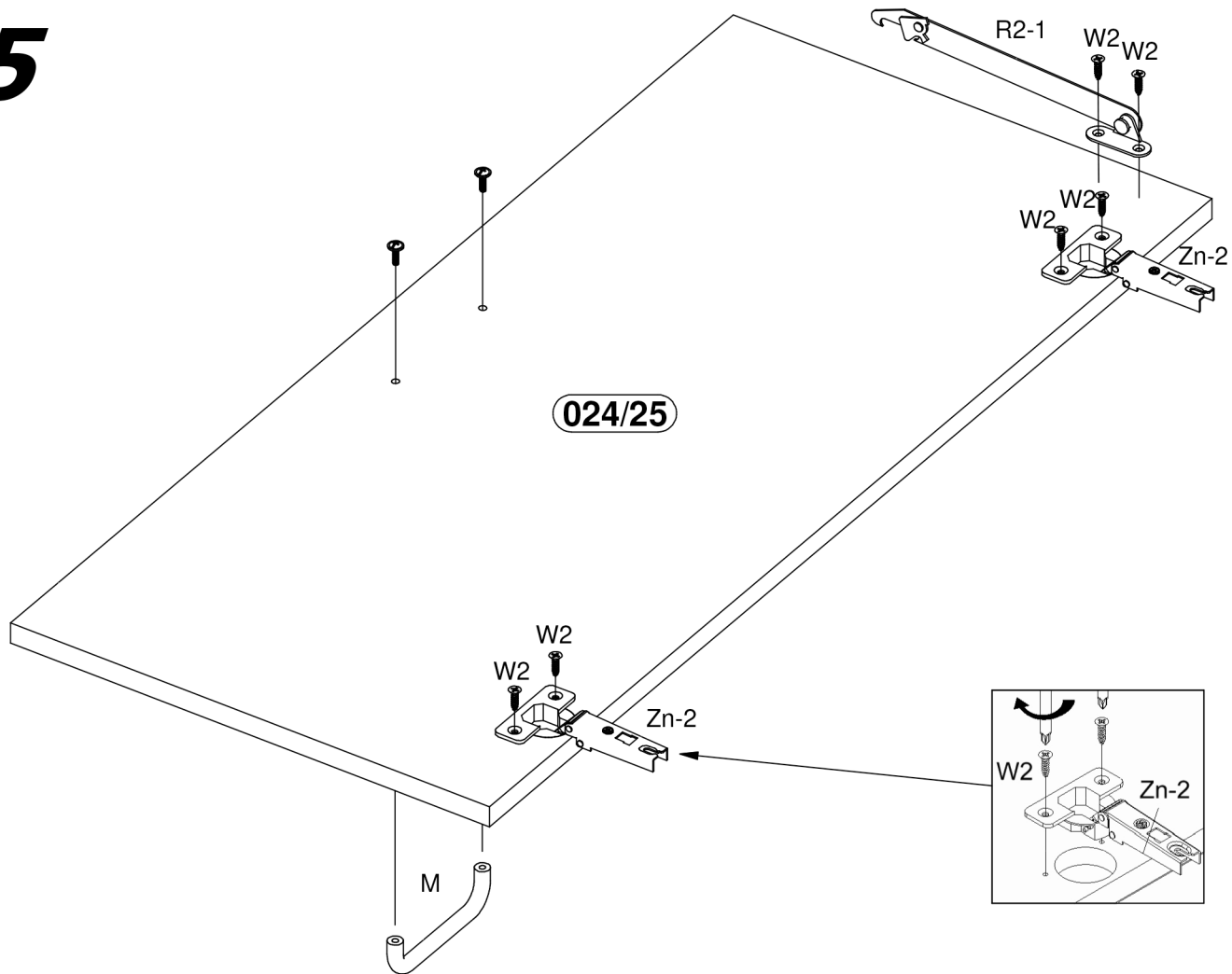
3



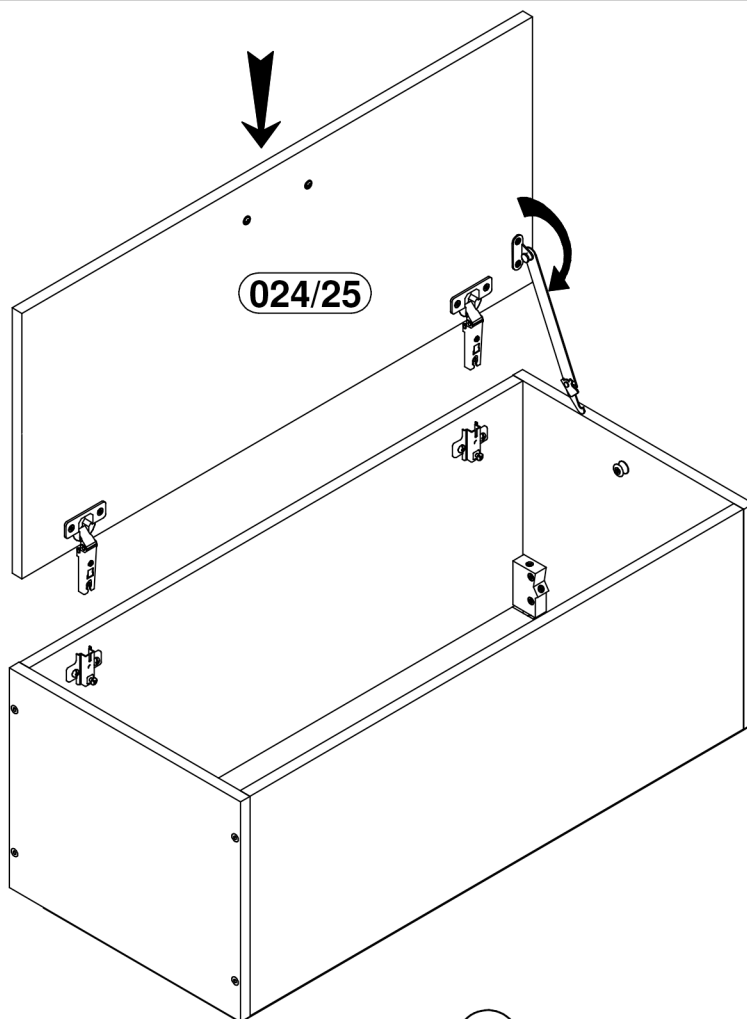
4



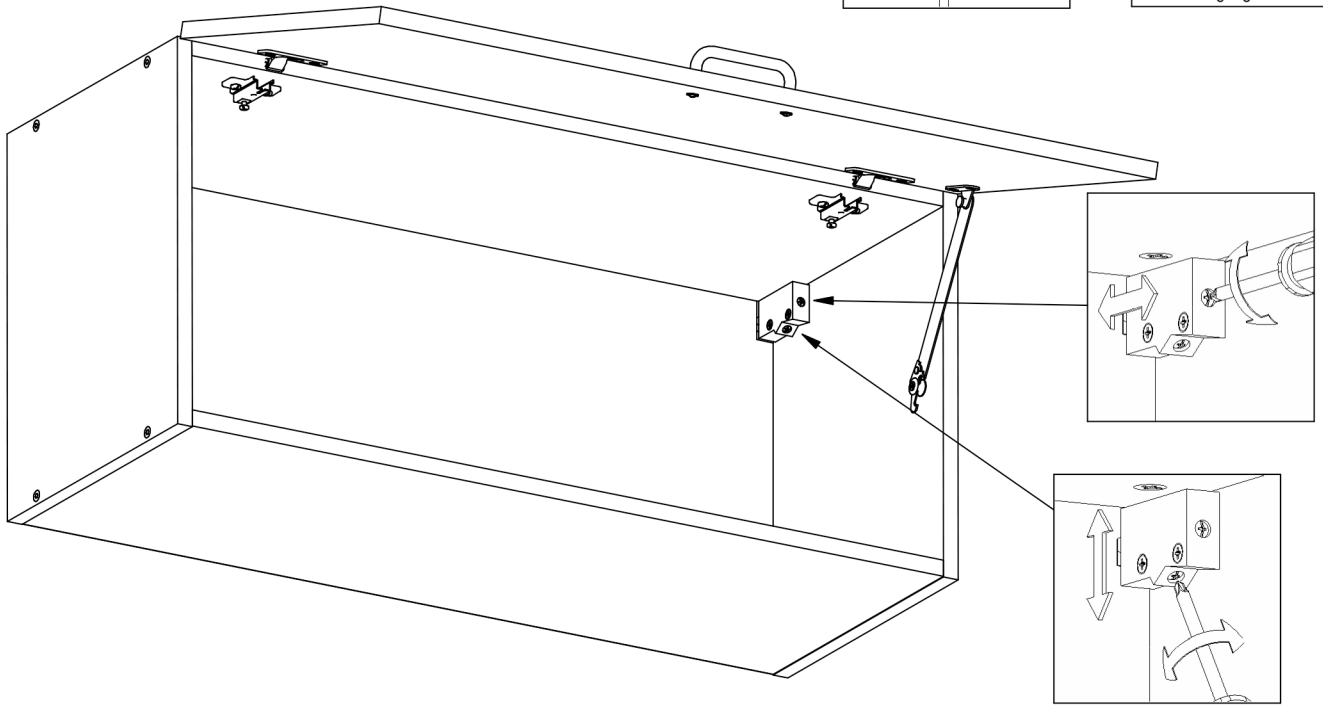
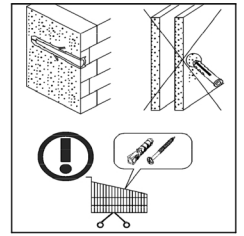
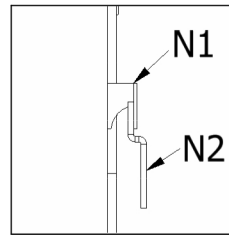
5



6



7



8

